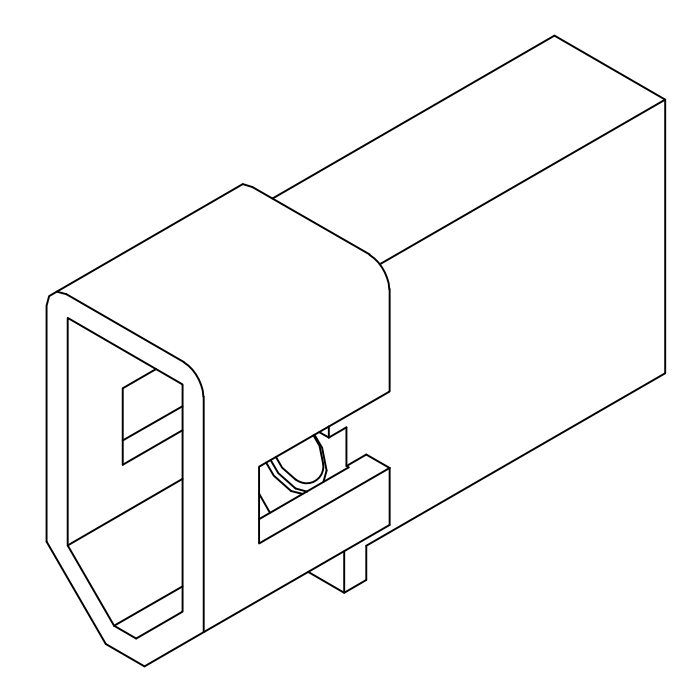
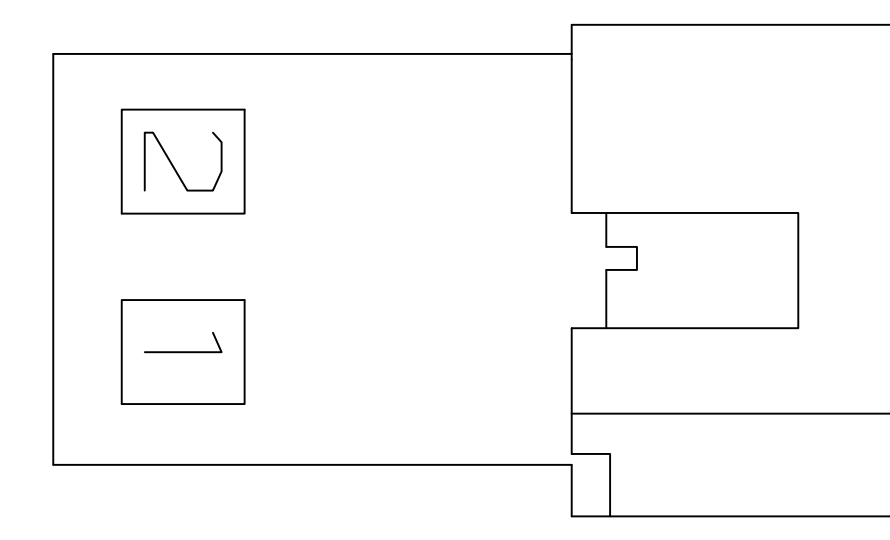
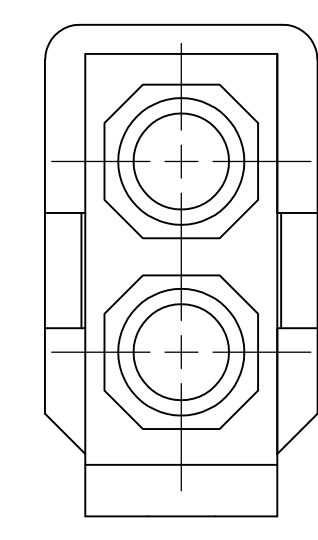
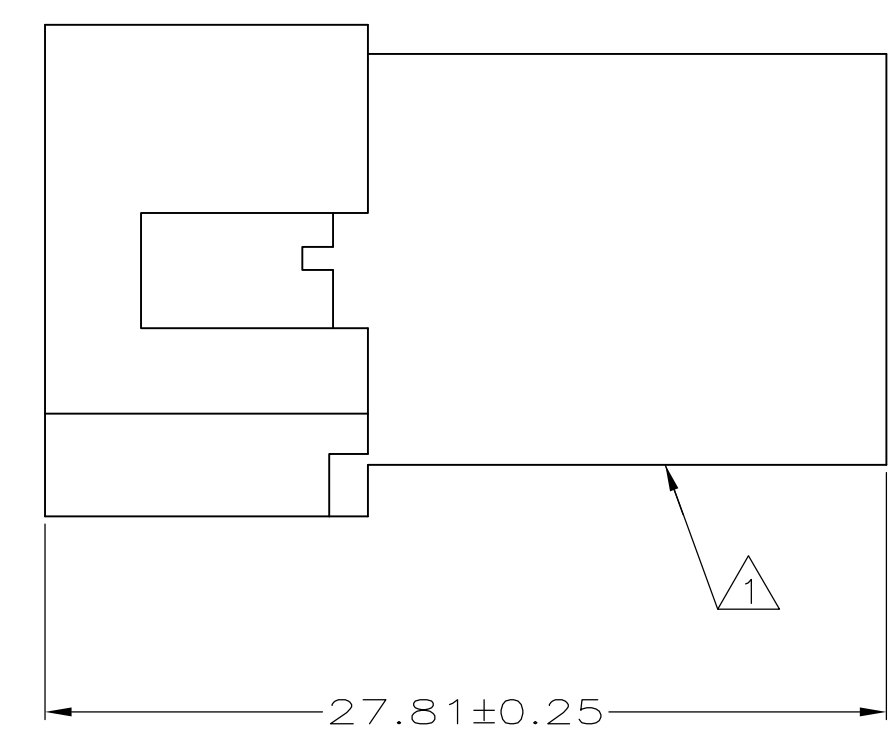
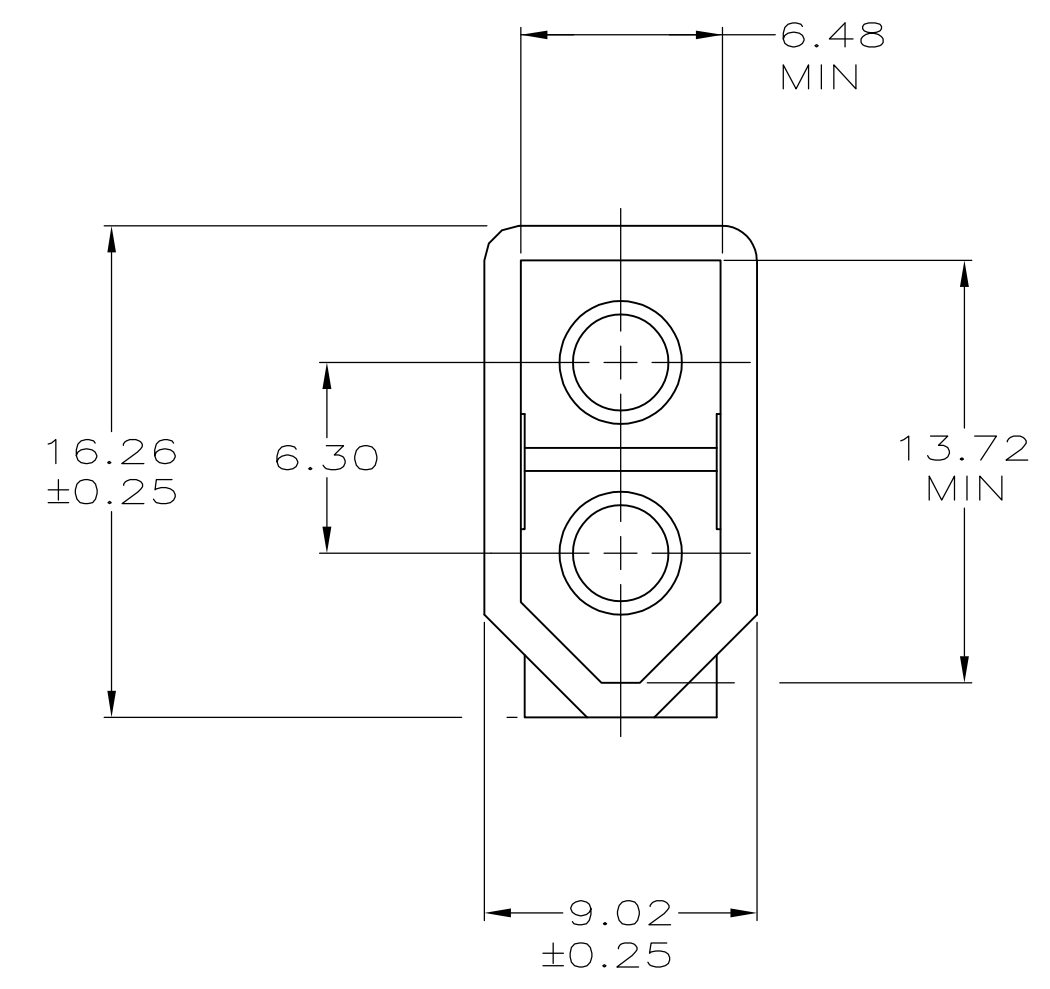
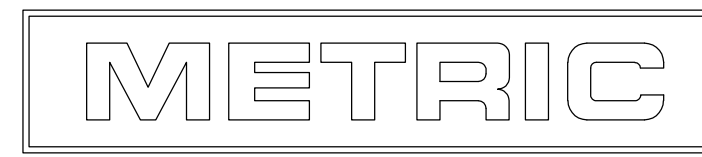


- 1 MARKING FOR UL AND CSA LOGOS LOCATED ON THIS SURFACE.
- 2 GLOW WIRE APPROVED PART
- 3 PRELIMINARY



3-DIMENSIONAL MODEL
NTS

27.81	1.095
16.26	.640
13.72	.540
9.02	.355
6.48	.255
6.30	.248
2.36	.093
0.25	.010
0.13	.005
MM	IN
CONVERSION TABLE	



2	3	770069-3
		770069-1
		PART NUMBER

THIS DRAWING IS A CONTROLLED DOCUMENT.		DWG K. WHITAKER	2-24-98	TE Connectivity
		CHK R. SWING	2-24-98	
DIMENSIONS:		APVD K. COBLE	2-24-98	NAME
mm	TOLERANCES UNLESS OTHERWISE SPECIFIED:	PRODUCT SPEC		PLUG, 2 CIRCUIT, .093 PIN AND SOCKET
	0. PLC ± -	APPLICATION SPEC		SIZE
	1. PLC ± -	WEIGHT		A1
	2. PLC ± 0.13	CUSTOMER DRAWING		00779C=770069
	3. PLC ± -	SCALE		4:1
	4. PLC ± -	SHEET		1 of 1
	ANGLES ± -	REV		M2
MATERIAL	FINISH	RESTRICTED TO		
NYLON, UL 94V-2,NATURAL	-			